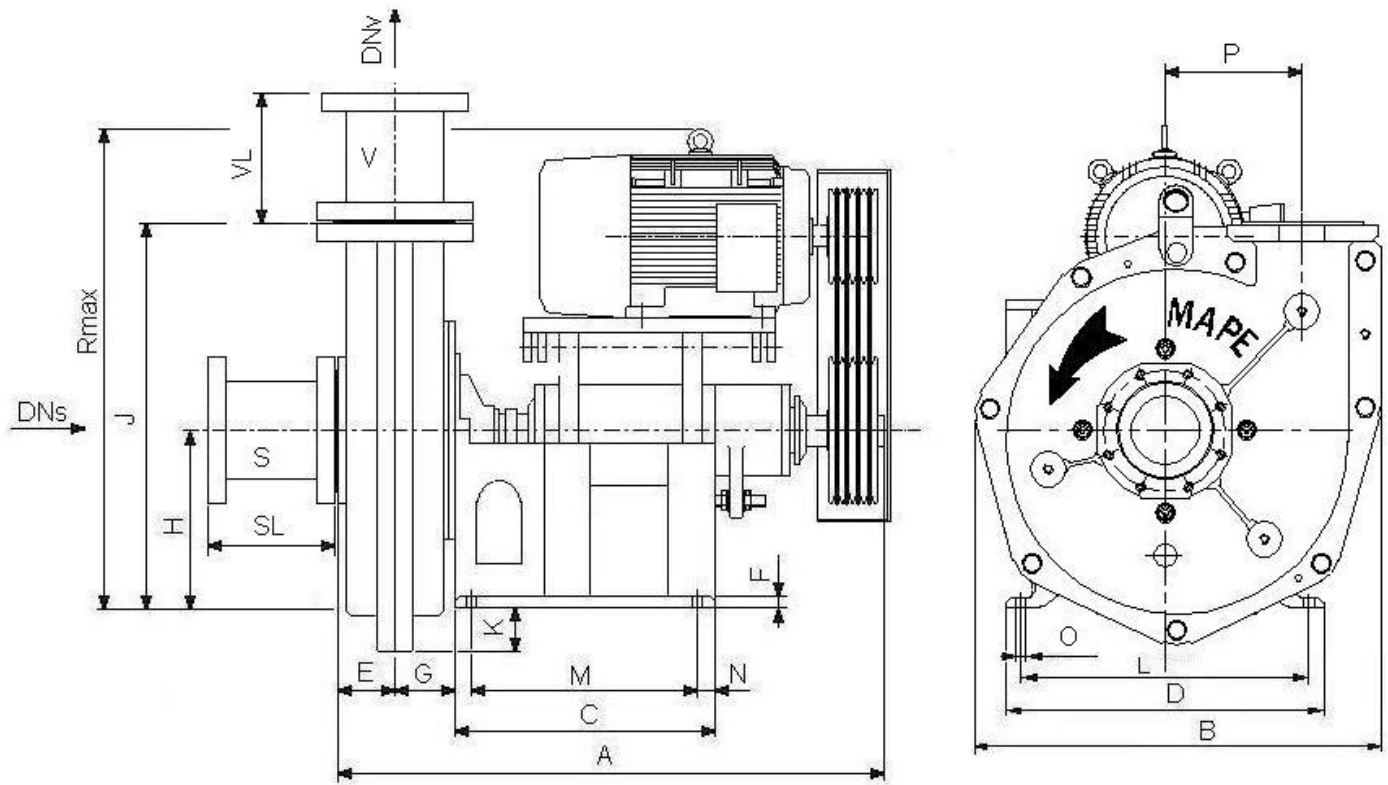


Proportions of the pumps MAPE



Type	Proportions of the pumps (mm)																Weight* (kg)
	A	B	C	D	E	F	G	H	J	K	L	M	N	ø O	P	R	
M 50	657	435	375	410	58	20	90	216	417	-	368	323	26	18	146	780	197
M 100	960	730	460	565	102	20	135	315	680	68	510	400	30	18	243	1100	420
M 150	1140	830	610	650	110	30	275	420	809	-	580	510	50	22	248	1340	615

* Weight of the pump is without the weight of the elektromotor

Type	Bore of pipe				Connecting flange
	DNs	SL (mm)	DNv	VL (mm)	
M 50	DN 65 PN 16	150	DN 50 PN 16	150	ČSN EN 1092 - 1
M 100	DN 125 PN 10	150	DN 100 PN 10	150	ČSN EN 1092 - 1
M 150	DN 150 PN 10	200	DN 150 PN 10	200	ČSN EN 1092 - 1