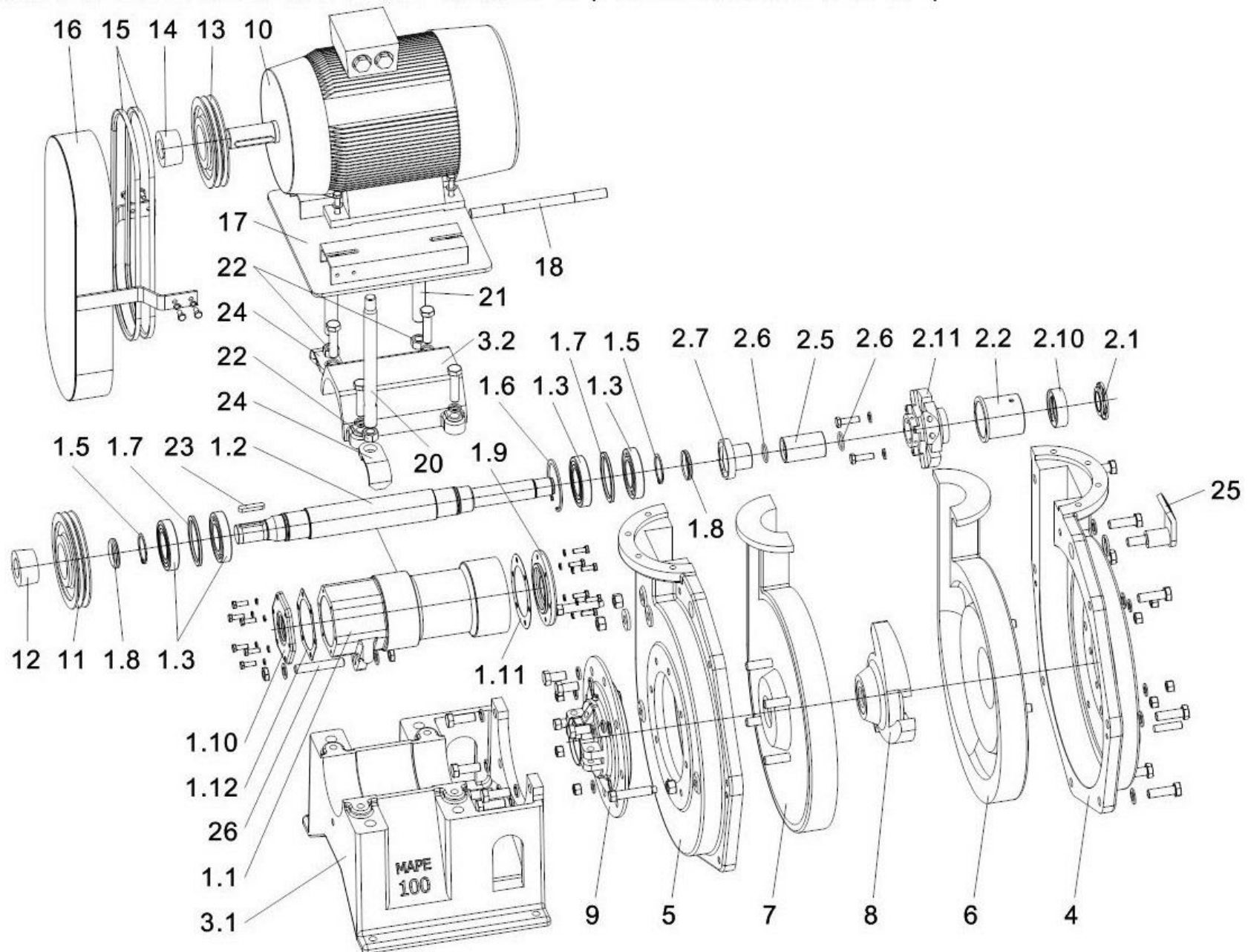


# Pump assembly MAPE 100 / V3 – mechanical seal – since 2012



MAPE CZ S.r.o.

Loketská 10, 360 06 Karlovy Vary

Tel.: +420 359 572 106; Fax: +420 359 572 107; E-mail: info@mapecz.cz; www.mapecz.cz

# Pump assembly MAPE 100 / V3



## Pump with mechanical seal – produced since 2012

Ref. No.	Part - No.	Description
1		<b>shaft support</b>
1.1	15-2-1-255/V3	shaft casing
1.2	15-2-2-210/V2	shaft
	15-2-2-210/V3	shaft - stainless steel
1.3	100120	bearing
1.5	100620	retaining ring for shaft
1.6	100630	retaining ring for hole
1.7	15-2-4-402	lubrication ring
1.8	100510	sealing ring – VS
1.9	15-2-3-349/V3	front cover
1.10	15-2-3-350/V2	rear cover
1.11	15-2-4-670	front cover gasket
1.12	15-2-4-671	rear cover gasket
2		<b>set of mechanical seal</b>
2.1	4-6206	deflector ring - polyuretan
	15-2-4-316	deflector ring- stainless steel
2.2	15-2-4-541	stuffing box body for mechanical seal
	15-2-4-541/4	stuffing box body for mechanical seal + Spiral trac
2.5	15-2-4-389	stuffing box casing
2.6	100440	shaft ring
2.7	15-2-4-391	spacer sleeve
2.10	115850	Spiral Trac
2.11		mechanical seal
3		<b>tailstock kpl.</b>
3.1	15-2-1-181	tailstock
3.2	15-2-1-259	tailstock lid
4	15-2-1-182/1	front casing
5	15-2-1-183/1	rear casing
6	0-0160	front rubber pad
7	0-0162	rear rubber pad
8	1-0691/1	impeller
	1-0691/2	impeller with stainless steel body
9	15-2-1-254/3	seals body for mechanical seal
	15-2-1-254/4	seals body for mechanical seal + Spiral trac
10		engine
11		pump belt pulley
12		shaft adapter sleeve for pump belt pulley
13		engine belt pulley
14		shaft adapter sleeve for engine belt pulley
15		V - belts
16		drive protective cover
17	2-1673/Komplet	engine plate
18	5-1546	pin of motor plate
20	4-6222	lock screw with internal hexagon
21	4-3477	tightening bolt
22	100784	adjusting screw
23		safety nut
24	3-5073	parallel key
25	4-10126	lifting hook
26	100782	lifting eye