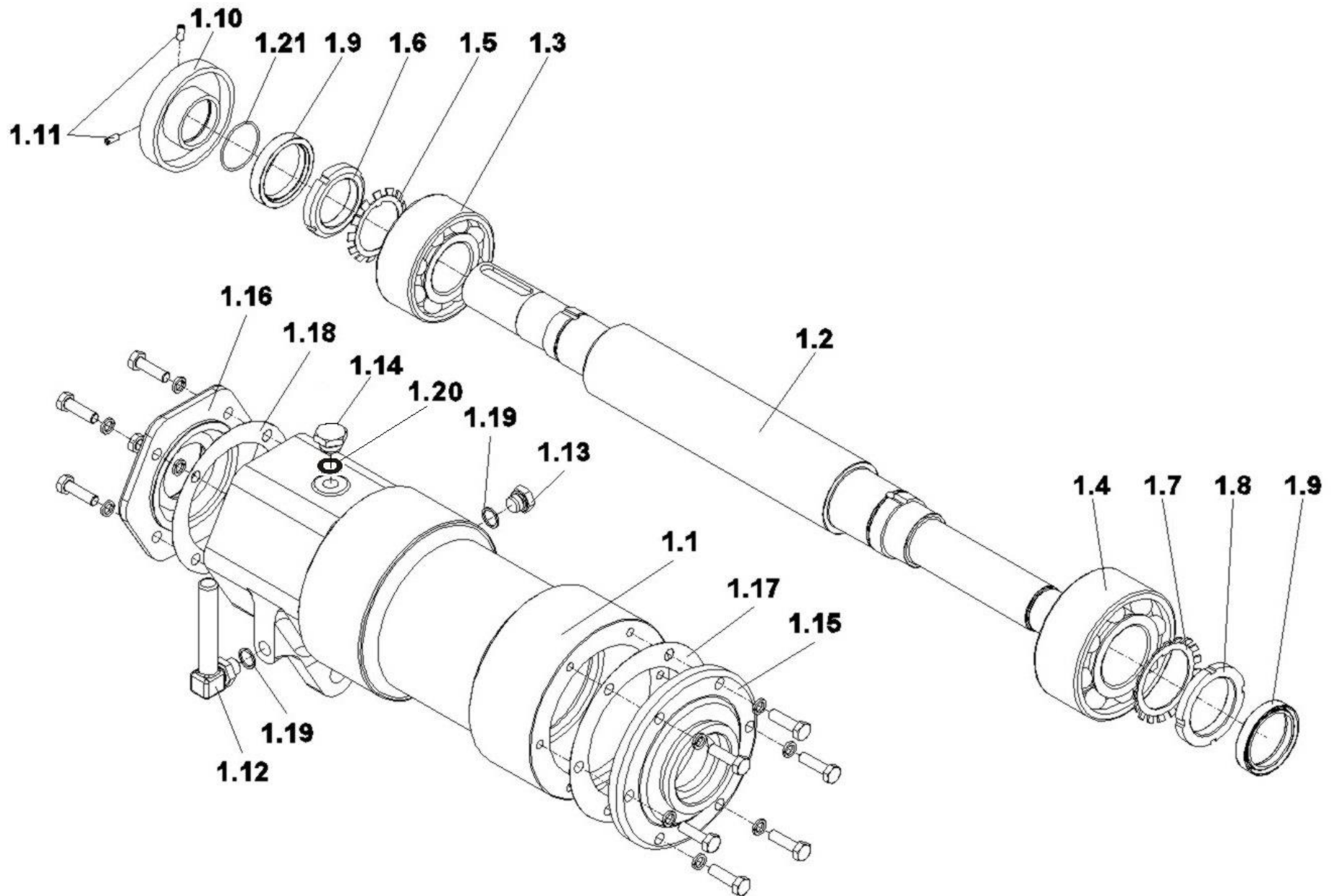


Pump assembly MAPE 100 / V1 – shaft support – 1958 – 2011



Shaft support Shafting V1 assembly – produced 1958 - 2011

Ref. No.	Part - No.	Description
1	15-2-2-101	shaft support
1.1	15-2-1-255	shaft casing
1.2	15-2-2-210	shaft V1 – carbon steel - thread 42x2 - duster 38 mm
	15-2-2-210/1	shaft V1 – stainless steel - thread 42x2 - duster 38 mm
	15-2-2-210/2	shaft V1 – carbon steel - thread 42x2 - duster 39 mm
	15-2-2-210/3	shaft V1 – stainless steel - thread 42x2 - duster 39 mm
	15-2-2-210/4	shaft V1 – carbon steel - thread 42x2 - duster 46 mm
	15-2-2-210/5	shaft V1 – stainless steel - thread 42x2 - duster 46 mm
	15-2-2-210/6	shaft V1 – carbon steel - thread 42x4,5 - duster 46 mm
	15-2-2-210/7	shaft V1 – stainless steel - thread 42x4,5 - duster 46 mm
1.3	100100	bearing
1.4	100110	bearing
1.5	100730	shaft pad - Mape 100 - rear
1.6	100720	nut - Mape 100 - rear
1.7	100710	shaft pad - M100 - front
1.8	100700	nut - Mape 100 - front
1.9	100330	gufero
1.10	15-2-4-386	duster diameter 38 mm
	15-2-4-386/1	duster diameter 39 mm
	15-2-4-386/2	duster diameter 45 mm
	15-2-4-386/3	duster diameter 46 mm
1.11	100770	locking bolt
1.12	100800	oil gauge
1.13	100820	plug
1.14	4-6208	deaeration plug
1.15	15-2-3-349	front cover
1.16	15-2-3-350	rear cover
1.17	15-2-4-670	front cover gasket
1.18	15-2-4-671	rear cover gasket
1.19	100830	fiber gasket
1.20	100832	fiber gasket for deaeration plug
1.21	100420	shaft ring diameter 38 mm
	100425	shaft ring diameter 39 mm
	100430	shaft ring diameter 45 mm
	100435	shaft ring diameter 46 mm