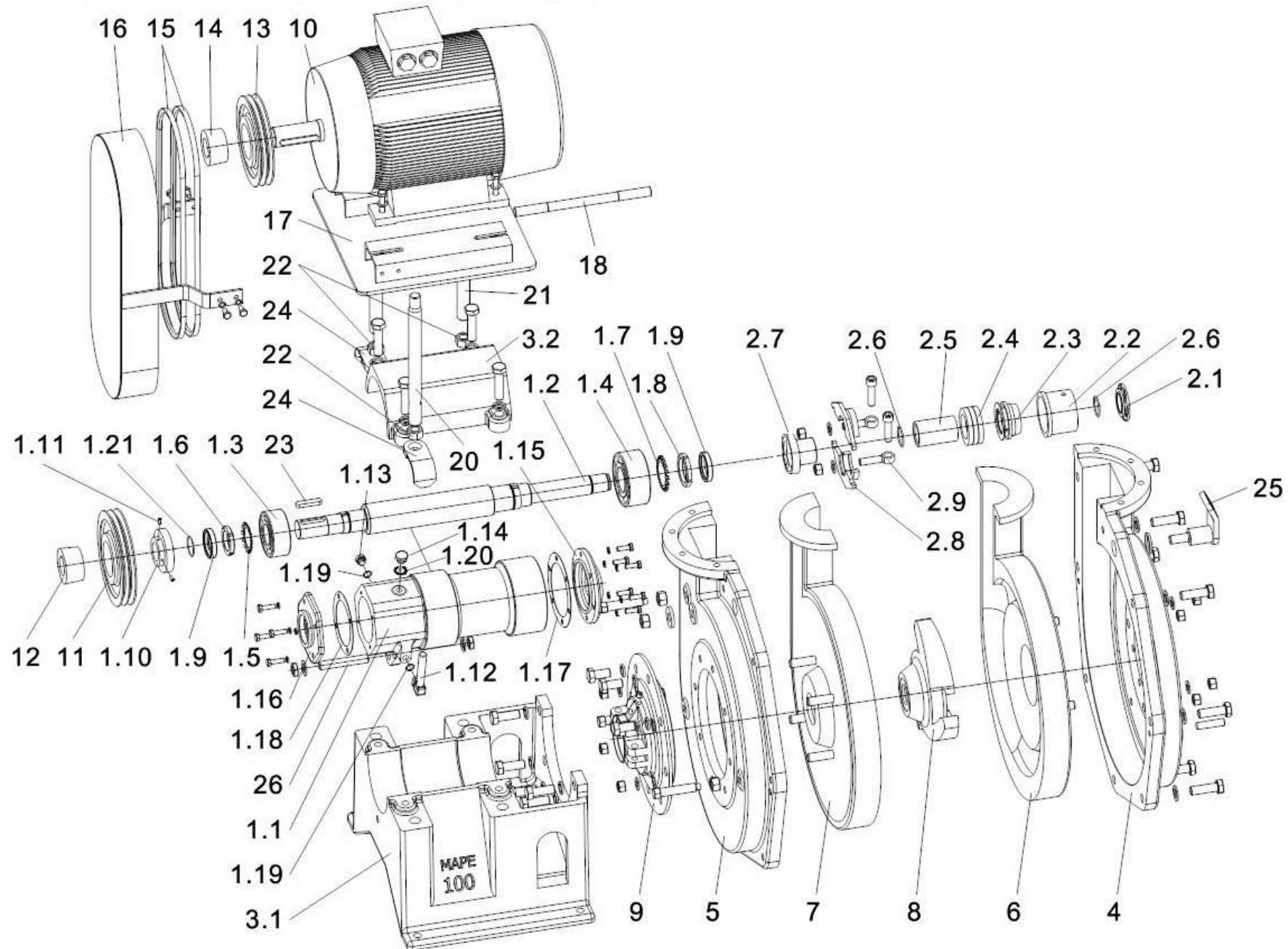


Pump assembly MAPE 100 / V1 – cord seal – 2005 – 2011



Pump assembly MAPE 100 / V1



Pump with cord seal - produced 2005 - 2011

Ref. No.	Part - No.	Description
1	15-2-2-101	shaft support
1.1	15-2-1-255	shaft casing
1.2	15-2-2-210	shaft V1 – carbon steel - thread 42x2 - duster 38 mm
	15-2-2-210/1	shaft V1 – stainless steel - thread 42x2 - duster 38 mm
	15-2-2-210/2	shaft V1 – carbon steel - thread 42x2 - duster 39 mm
	15-2-2-210/3	shaft V1 – stainless steel - thread 42x2 - duster 39 mm
	15-2-2-210/4	shaft V1 – carbon steel - thread 42x2 - duster 46 mm
	15-2-2-210/5	shaft V1 – stainless steel - thread 42x2 - duster 46 mm
	15-2-2-210/6	shaft V1 – carbon steel - thread 42x4,5 - duster 46 mm
	15-2-2-210/7	shaft V1 – stainless steel - thread 42x4,5 - duster 46 mm
1.3	100100	bearing
1.4	100110	bearing
1.5	100730	shaft pad - Mape 100 - rear
1.6	100720	nut - Mape 100 - rear
1.7	100710	shaft pad - M100 - front
1.8	100700	nut - Mape 100 - front
1.9	100330	gufero
1.10	15-2-4-386	duster diameter 38 mm
	15-2-4-386/1	duster diameter 39 mm
	15-2-4-386/2	duster diameter 45 mm
	15-2-4-386/3	duster diameter 46 mm
1.11	100770	locking bolt
1.12	100800	oil gauge
1.13	100820	plug
1.14	4-6208	deaeration plug
1.15	15-2-3-349	front cover
1.16	15-2-3-350	rear cover
1.17	15-2-4-670	front cover gasket
1.18	15-2-4-671	rear cover gasket
1.19	100830	fiber gasket
1.20	100832	fiber gasket for deaeration plug
1.21	100420	shaft ring diameter 38 mm
	100425	shaft ring diameter 39 mm
	100430	shaft ring diameter 45 mm
	100435	shaft ring diameter 46 mm
2		set of cord seal
2.1	4-6206	deflector ring - polyuretan
	15-2-4-316	deflector ring- stainless steel
2.2	15-2-4-541	stuffing box body
2.3	15-2-4-387	lantern housing
2.4	111100	cord packing
2.5	15-2-4-389	stuffing box casing
	15-2-4-389/1	stuffing box casing - ceramic coating
2.6	100440	shaft ring
2.7	15-2-4-391	spacer sleeve
2.8	3-3640	packing cover
2.9	15-2-4-393	eyebolt - galvanized
	15-2-4-393/1	eyebolt - stainless steel
3		tailstock kpl.
3.1	15-2-1-181	tailstock
3.2	15-2-1-259	tailstock lid
4	15-2-1-182/1	front casing
5	15-2-1-183/1	rear casing
6	0-0160	front rubber pad
7	0-0162	rear rubber pad
8	1-0691/1	impeller
	1-0691/2	impeller with stainless steel body

MAPE CZ s.r.o.

Loketská 10, 360 06 Karlovy Vary

Tel.: +420 359 572 106; Fax : +420 359 572 107; E-mail: info@mapecz.cz; www.mapecz.cz

Pump assembly MAPE 100 / V1



Pump with cord seal - produced 2005 - 2011

9	15-2-1-254/3	seals body for mechanical seal
	15-2-1-254/4	seals body for mechanical seal + Spiral trac
10		engine
11		pump belt pulley
12		shaft adapter sleeve for pump belt pulley
13		engine belt pulley
14		shaft adapter sleeve for engine belt pulley
15		V - belts
16		drive protective cover
17	2-1673/Komplet	engine plate
18	5-1546	pin of motor plate
20	4-6222	lock screw with internal hexagon
21	4-3477	tightening bolt
22	100784	adjusting screw
23		safety nut
24	3-5073	parallel key
25	4-10126	lifting hook
26	100782	lifting eye